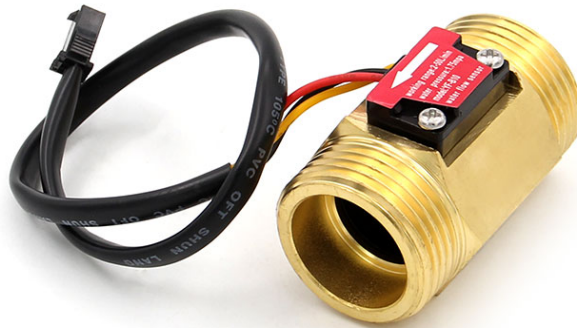


Sensor Water Flow Switch 1"

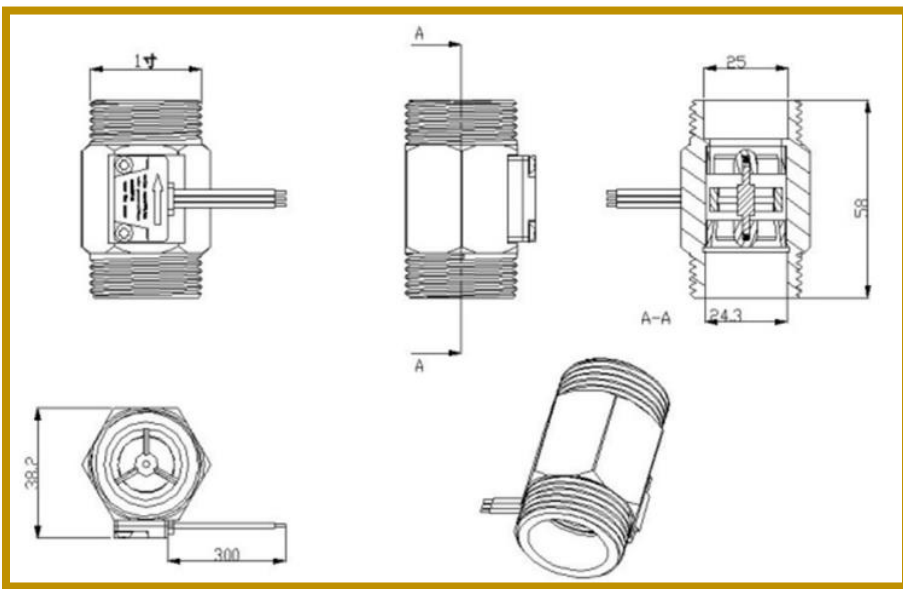
Model: YF-B10



Specifications:

- ❖ Operating Voltage Range: 5-15V DC
- ❖ Rated Voltage: 5V DC
- ❖ Water Pressure Resistance: $>1.75\text{MPa}$
- ❖ Insulation Resistance: $>100\text{M}\Omega$
- ❖ Accuracy: 1 to 25L/min $\pm 5\%$
- ❖ Flow Pulse Characteristics: $(6*Q-8)$, $Q=L/\text{Min}\pm 5\%$
- ❖ Output Pulse High Level: $>4.7\text{V DC}$ (input voltage Dc 5V)
- ❖ Output Pulse Low Level: $< 0.5\text{V DC}$ (input voltage Dc 5V)
- ❖ Output Pulse Duty Cycle: $50\% \pm 10\%$

Dimensions Diagram:



Made in China