

# Travel Switch

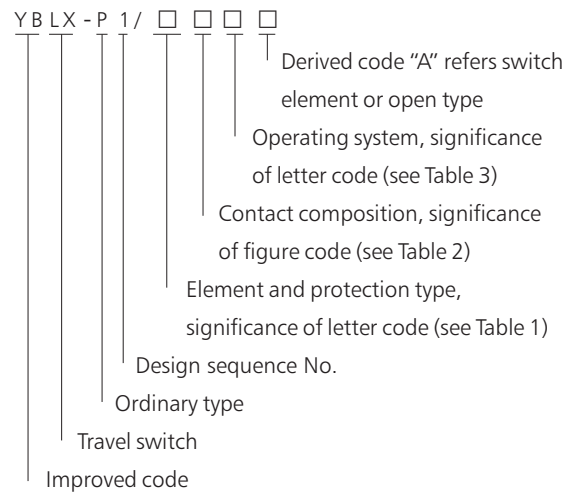


## YBLX-P1 Travel Switch

### 1. General

YBLX-P1 series of travel switch is applicable to electric circuit with voltage not more than AC Ue 380V/50-60Hz or DC Ue 220V and current not more than AC Ie 5A or DC Ie 0.15A for travel control, direction of motion or speed change of movement mechanism, automatic control of machine tool, limit action & travel or procedure control of movement mechanism.  
Standard: GB 14048.5, IEC60947-5-1, CCC China Compulsory Product Certification.

### 2. Type designation



Contact type

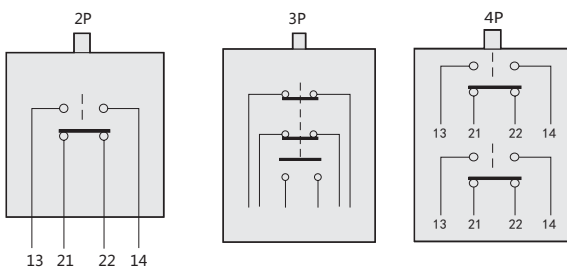


Table 1

100	Bipolar protection travel switch (wide)
120	Bipolar protection travel switch (narrow)
303	Tripolar protection travel switch (wide)
404	Quadrupole protection travel switch (wide)

Table 2

Bipolar switch elements	Tripolar switch element	Quadrupole switch element
A pair of contacts with quick actions, one for normal open and the other for normal close	Common contacts (two for normal open and one for normal close)	Two fast switch elements

Table 3

Type (use recommended type)	Operating mode	Alternative models (stop service)		
YBLX-P1/120/1B	Direct acting	YBLX-P1/120/0B		
YBLX-P1/120/1C	Direct acting with a buffer	YBLX-P1/120/0C		
YBLX-P1/120/1D	Direct acting, single roller	YBLX-P1/120/0D		
YBLX-P1/120/1E	Direct acting and single roller with a buffer	YBLX-P1/120/0E		
YBLX-P1/120/1F	Angle lever, single roller	YBLX-P1/120/0F		
YBLX-P1/120/1G	Adjustable rotating angle, single roller	YBLX-P1/120/1H	YBLX-P1/120/1J	YBLX-P1/120/1K
		YBLX-P1/120/0H	YBLX-P1/120/0J	YBLX-P1/120/0K
		YBLX-P1/120/0G		
YBLX-P1/120/1P	Adjustable length of the iron lever with damping	YBLX-P1/120/1V	YBLX-P1/120/1W	YBLX-P1/120/1Q
		YBLX-P1/120/0V	YBLX-P1/120/0W	YBLX-P1/120/0Q
		YBLX-P1/120/0P		
YBLX-P1/120/1R	Universal type	YBLX-P1/120/0R		
YBLX-P1/120/1T	Fork rod and two wheels without automatic reset	YBLX-P1/120/0T		
YBLX-P1/120/1U	Adjustable length of the single lever and single roller	YBLX-P1/120/0U	YBLX-P1/120/0N	YBLX-P1/120/0N
YBLX-P1/100/1B	Direct acting	YBLX-P1/100/0B		
YBLX-P1/100/1C	Direct acting with a buffer	YBLX-P1/100/0C		
YBLX-P1/100/1D	Direct acting, single roller	YBLX-P1/100/0D		
YBLX-P1/100/1E	Direct acting and single roller with a buffer	YBLX-P1/100/0E		
YBLX-P1/100/1F	Angle lever, single roller	YBLX-P1/100/0F		
YBLX-P1/100/1G	Adjustable rotating angle, single roller	YBLX-P1/100/1H	YBLX-P1/100/1J	YBLX-P1/100/1K
		YBLX-P1/100/0H	YBLX-P1/100/0J	YBLX-P1/100/0K
		YBLX-P1/100/0G		

Table 3

Type (use recommended type)	Operating mode	Alternative models (stop service)		
YBLX-P1/100/1P	Adjustable length of the iron lever with damping	YBLX-P1/100/1V YBLX-P1/100/0V YBLX-P1/100/0P	YBLX-P1/100/1W YBLX-P1/100/0W	YBLX-P1/100/1Q YBLX-P1/100/0Q
YBLX-P1/100/1R	Universal type	YBLX-P1/100/0R		
YBLX-P1/100/1T	Fork rod and two wheels without automatic reset	YBLX-P1/100/0T		
YBLX-P1/100/1U	Adjustable length of the single lever and single roller	YBLX-P1/100/0U	YBLX-P1/100/0N	YBLX-P1/100/0N
YBLX-P1/303/1B	Direct acting	YBLX-P1/303/0B		
YBLX-P1/303/1C	Direct acting with a buffer	YBLX-P1/303/0C		
YBLX-P1/303/1D	Direct acting, single roller	YBLX-P1/303/0D		
YBLX-P1/303/1E	Direct acting and single roller with a buffer	YBLX-P1/303/0E		
YBLX-P1/303/1F	Angle lever, single roller	YBLX-P1/303/0F		
YBLX-P1/303/1G	Adjustable rotating angle, single roller	YBLX-P1/303/1H YBLX-P1/303/0H YBLX-P1/303/0G	YBLX-P1/303/1J YBLX-P1/303/0J	YBLX-P1/303/1K YBLX-P1/303/0K
YBLX-P1/303/1P	Adjustable length of the iron lever with damping	YBLX-P1/303/1V YBLX-P1/303/0V YBLX-P1/303/0P	YBLX-P1/303/1W YBLX-P1/303/0W	YBLX-P1/303/1Q YBLX-P1/303/0Q
YBLX-P1/303/1R	Universal type	YBLX-P1/303/0R		
YBLX-P1/303/1T	Fork rod and two wheels without automatic reset	YBLX-P1/303/0T		
YBLX-P1/303/1U	Adjustable length of the single lever and single roller	YBLX-P1/303/0U		
YBLX-P1/404/1B	Direct acting	YBLX-P1/404/0B		
YBLX-P1/404/1C	Direct acting with a buffer	YBLX-P1/404/0C		
YBLX-P1/404/1D	Direct acting, single roller	YBLX-P1/404/0D		
YBLX-P1/404/1E	Direct acting and single roller with a buffer	YBLX-P1/404/0E		
YBLX-P1/404/1F	Angle lever, single roller	YBLX-P1/404/0F		
YBLX-P1/404/1G	Adjustable rotating angle, single roller	YBLX-P1/404/1H YBLX-P1/404/0H YBLX-P1/404/0G	YBLX-P1/404/1J YBLX-P1/404/0J	YBLX-P1/404/1K YBLX-P1/404/0K
YBLX-P1/404/1P	Adjustable length of the iron lever with damping	YBLX-P1/404/1V YBLX-P1/404/0V YBLX-P1/404/0P	YBLX-P1/404/1W YBLX-P1/404/0W	YBLX-P1/404/1Q YBLX-P1/404/0Q
YBLX-P1/404/1R	Universal type	YBLX-P1/404/0R		
YBLX-P1/404/1T	Fork rod and two wheels without automatic reset	YBLX-P1/404/0T		
YBLX-P1/404/1U	Adjustable length of the single lever and single roller	YBLX-P1/404/0U		

**3. Technical data**

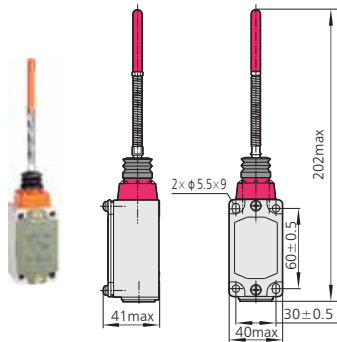
Table 4

Rated working voltage	AC 380V	DC220V
	Rated control current	AC 5A
Conventional thermal current	10A	
Ingress protection	IP52	
Mechanical life	60×10 <sup>4</sup> times	
Electrical life	30×10 <sup>4</sup> times	
Ambient temperature	-5℃~+40℃	
Relative humidity	≤95%	
Altitude	≤2000m	
Scope of application	Automatic control, limiting movement, action or program control of the transmission mechanism of machine tool	

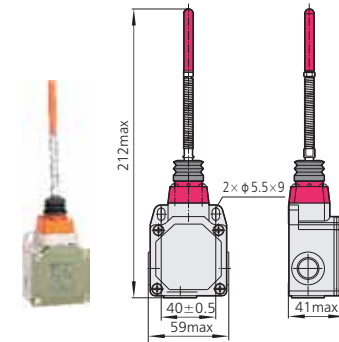
# Travel Switch

## 4. Overall and mounting dimensions

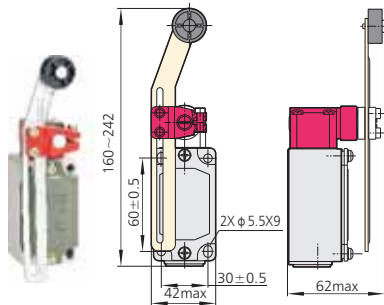
YBLX-P1/120/1R



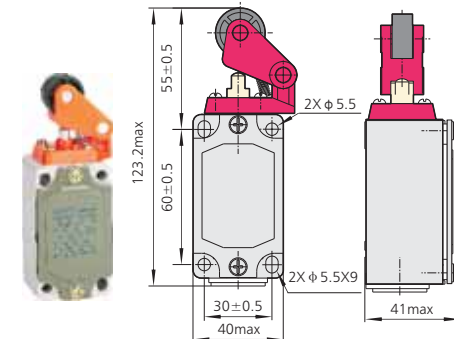
YBLX-P1/100/1R



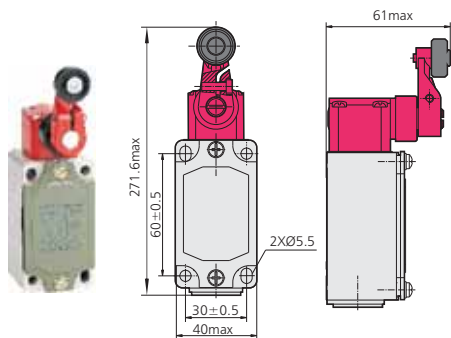
YBLX-P1/120/1U(1N)



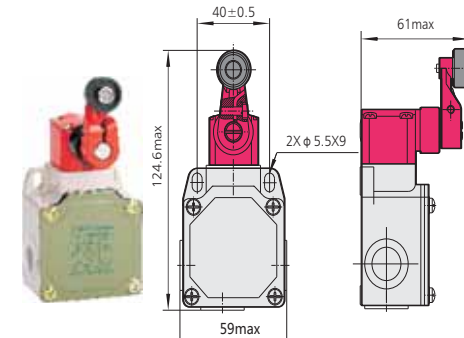
YBLX-P1/120/1E



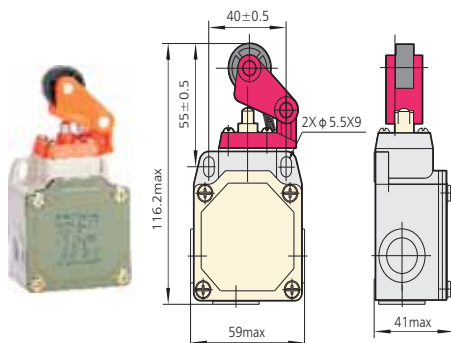
YBLX-P1/120/1G



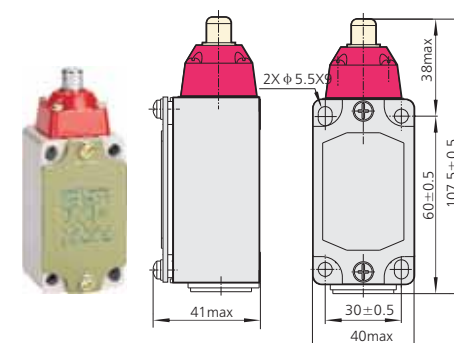
YBLX-P1/100/1G(H,J,K)



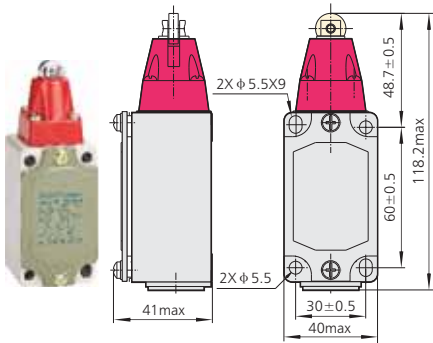
YBLX-P1/100/1E



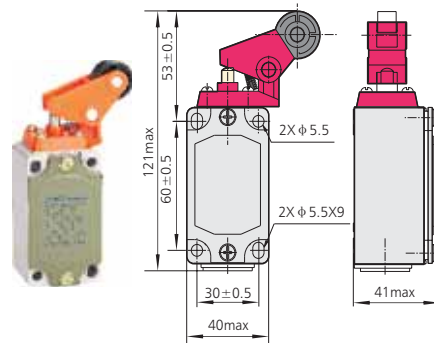
YBLX-P1/120/1C



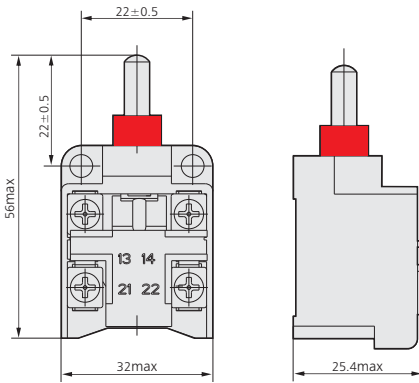
YBLX-P1/120/1D



YBLX-P1/120/1F

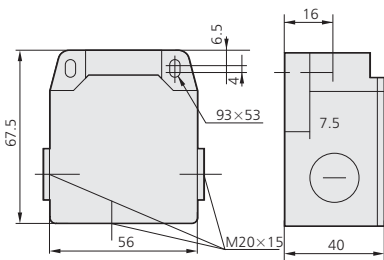


4.1 Open type

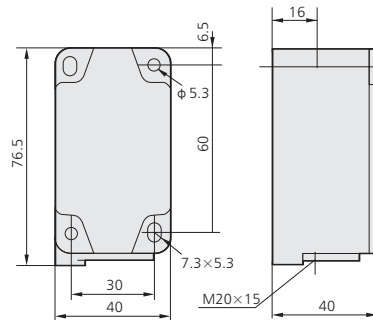


4.2 Protective enclosure

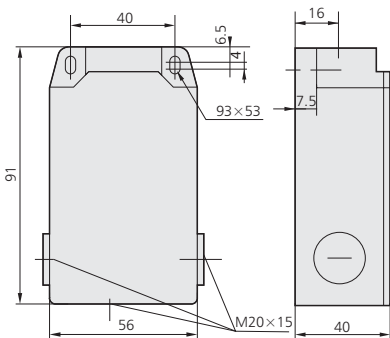
YBLX-P1/100 series



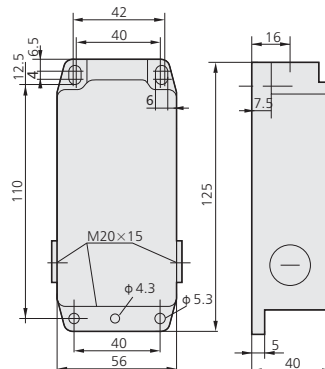
YBLX-P1/120 series



YBLX-P1/303 series



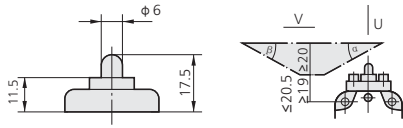
YBLX-P1/404 series



# Travel Switch

## 4.3 Type and data of driving head

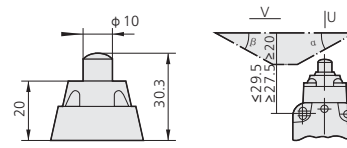
Category B



YBLX-P1/100/B  
YBLX-P1/120/B  
YBLX-P1/303/B  
YBLX-P1/404/B

$\alpha_{max}=30^\circ$   
 $\beta_{max}=30^\circ$   
V max=0.5m/s  
U max=1.5m/s

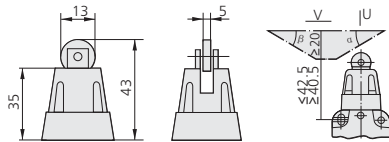
Category C



YBLX-P1/100/C  
YBLX-P1/120/C  
YBLX-P1/303/C  
YBLX-P1/404/C

$\alpha_{max}=30^\circ$   
 $\beta_{max}=30^\circ$   
V max=0.5m/s  
U max=1.5m/s

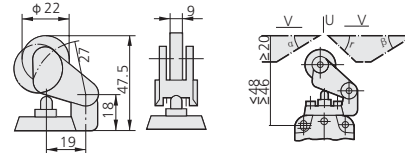
Category D



YBLX-P1/100/D  
YBLX-P1/120/D  
YBLX-P1/303/D  
YBLX-P1/404/D

$\alpha_{max}=30^\circ$   
 $\beta_{max}=30^\circ$   
V max=1.0m/s  
U max=1.5m/s

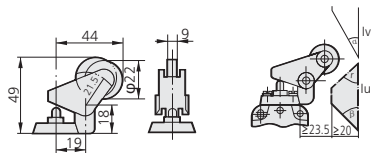
Category E



YBLX-P1/100/E  
YBLX-P1/120/E  
YBLX-P1/303/E  
YBLX-P1/404/E

$\alpha_{max}=30^\circ$   
V max=1.0m/s  
Y max=45°  
 $\beta_{max}=45^\circ$   
V max=2.5m/s  
U max=1.5m/s

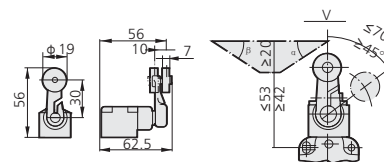
Category F



YBLX-P1/100/F  
YBLX-P1/120/F  
YBLX-P1/303/F  
YBLX-P1/404/F

$\alpha_{max}=30^\circ$   
V max=1.0m/s  
Y max=45°  
 $\beta_{max}=45^\circ$   
V max=2.5m/s

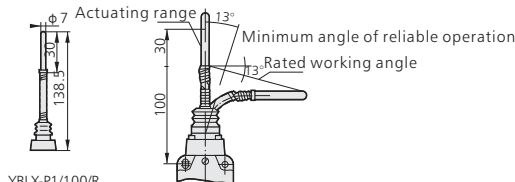
Category G, H, J, K



YBLX-P1/100/G,J,H,K  
YBLX-P1/120/G,J,H,K  
YBLX-P1/303/G,J,H,K  
YBLX-P1/404/G,J,H,K

$\alpha_{max}=30^\circ$   
 $\beta_{max}=30^\circ$   
V max=3.0m/s

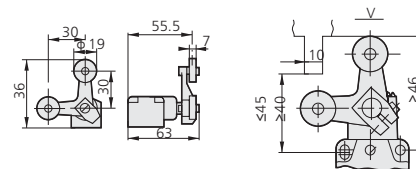
Category R



YBLX-P1/100/R  
YBLX-P1/120/R  
YBLX-P1/303/R

V max=1m/s

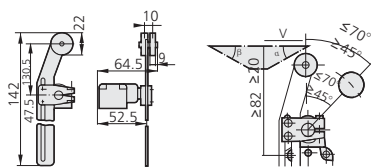
Category T



YBLX-P1/100/T  
YBLX-P1/120/T  
YBLX-P1/303/T

V max=3m/s

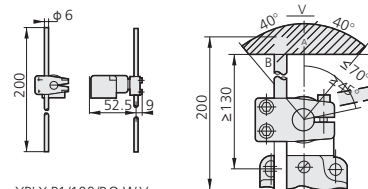
Category U, N



YBLX-P1/100/U,N  
YBLX-P1/120/U,N  
YBLX-P1/303/U,N  
YBLX-P1/404/U,N

$\alpha_{max}=30^\circ$   
 $\beta_{max}=30^\circ$   
V max=3.0m/s

Category P, Q, W, V



YBLX-P1/100/P,Q,W,V  
YBLX-P1/120/P,Q,W,V  
YBLX-P1/303/P,Q,W,V  
YBLX-P1/404/P,Q,W,V

V max=3.0m/s

## 5. Ordering information

When ordering, the user shall indicate the product name, type and quantity.  
For example: YBLX-P1/120/1C Travel switch 100 pieces.